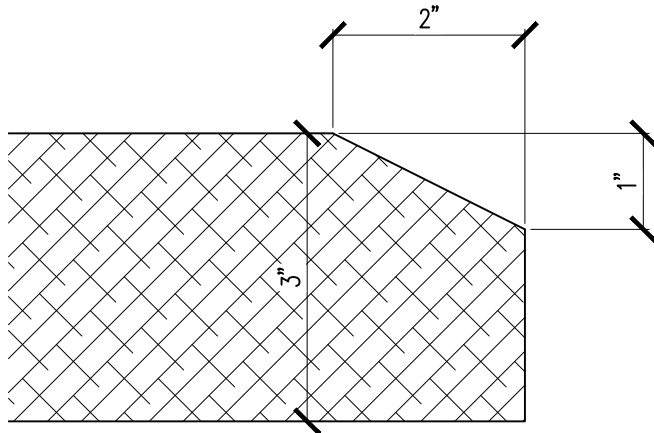


3" THICK STONE WITH 2" x 1" CHAMFER



3" THICK STONE WITH 1" X 2" CHAMFER

BLACKHILL GRANITES DOES NOT MANUFACTURE OR PROVIDE ANCHORS OR ENGINEERING SERVICES. TYPICAL ANCHOR TYPES AND DIMENSIONS ARE PROVIDED FOR EXAMPLE ONLY. FINAL SPECIFICATIONS AND DETAILS SHOULD BE APPROVED BY A LICENSED ENGINEER.



101 E. CULPEPER STREET, SUITE 101
 CULPEPER, VA 22701
 PHONE: 540.825.9044
 WWW.BLACKHILLGRANITES.COM

DESCRIPTION:

- D1 3" THICK STONE WITH 2" X 1" CHAMFER
- D2 3" THICK STONE WITH 1 X 2" CHAMFER

DRAWN BY:
 LLB

SCALE:
 -

DATE:

8.31.2023